

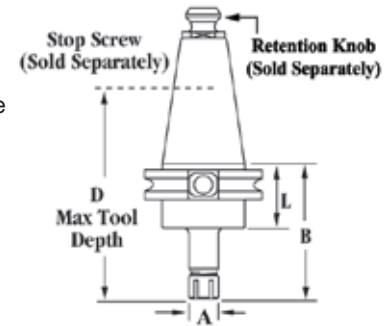
ER11

CAT40 & Straight Shank ER11 Collet Chucks

(Balanced to G2.5@18,000 RPM)



- Small diameter nose well-suited for working in close quarters
- Increased flexibility for milling, drilling, and reaming
- Flush precision collet nut, grips tool close to cutting edge for accuracy and rigidity
- Concentric to .0002" TIR puts tool precisely on spindle center line
- AT3 or better shank taper allows for accurate, rigid toolholder-to-spindle mount
- Wide range collets reduce collet and toolholder inventories
- Fully ground flange and V-groove is easy on tool changers for less spindle and changer maintenance
- Through spindle coolant standard
- **ER11 Collets found on page 601.**



CAT40 ER11 Collet Chucks

Capacity	Taper	A	Gage Length (B)	D	L	Max. Nosepiece Torque	Part #
.0078-.2755	CAT40	.63	2.00	3.50	1.38	8 ft lbs	RC4ER11200
.0078-.2755	CAT40	.63	3.00	4.50	1.38	8 ft lbs	RC4ER11300

ER11 Straight Shank Collet Extension

A	B	D	L	Photo	Dimensions	Part #
.63	6.6	.50	5.8			RSSER11660

ER11 Parts & Accessories

Description	Photo	Dimensions	Part #
ER11 Replacement Nosepiece			RER11NPA
ER11 Collet Wrench†			RER11W

†Required for assembly.